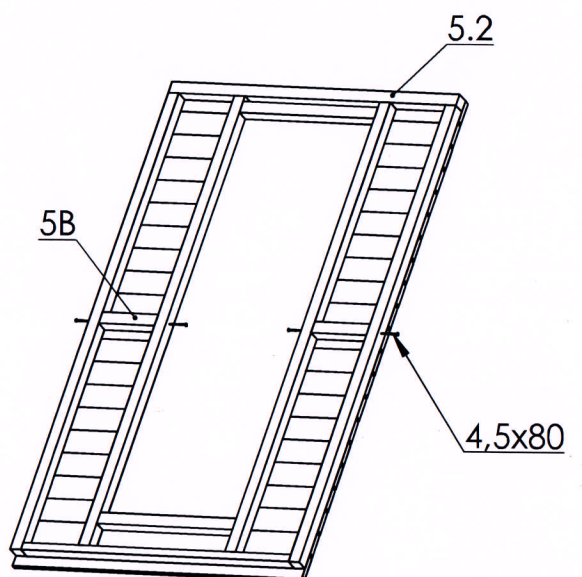
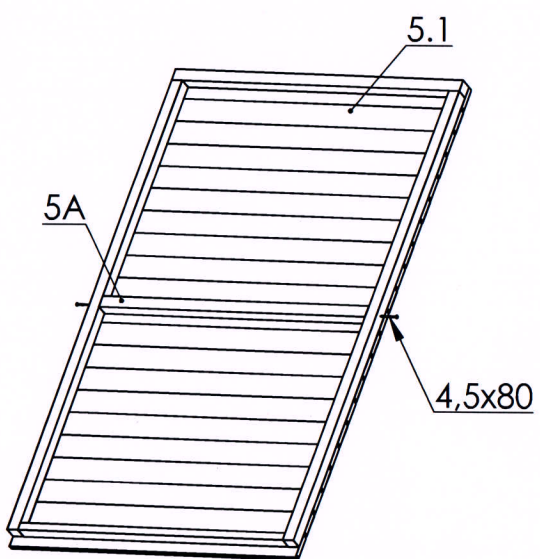
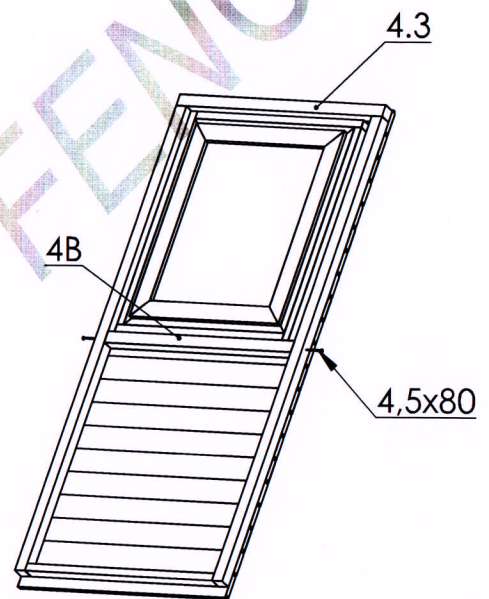
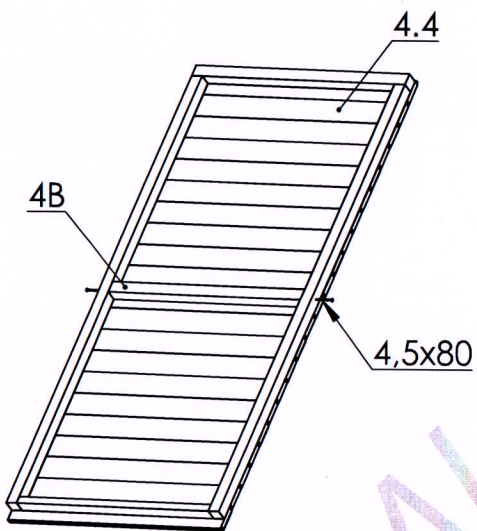
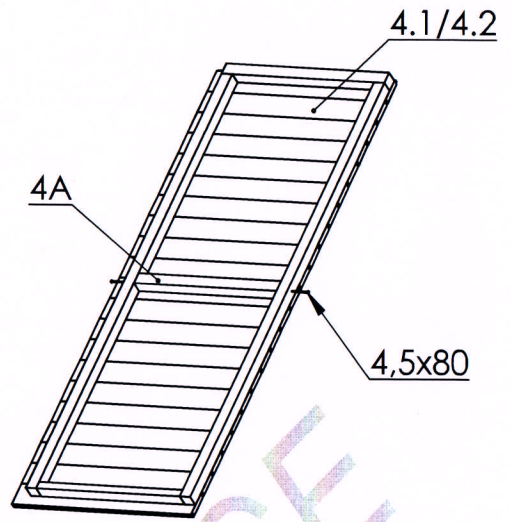
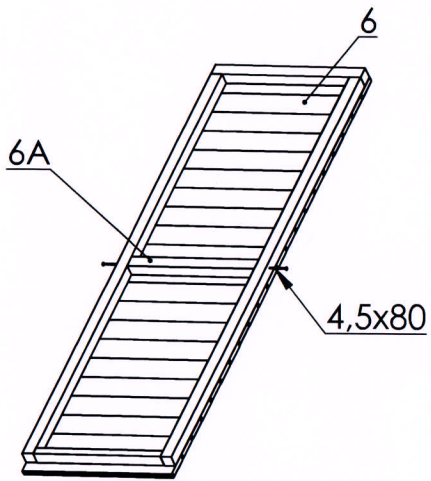


Inside panels assembly Packing list

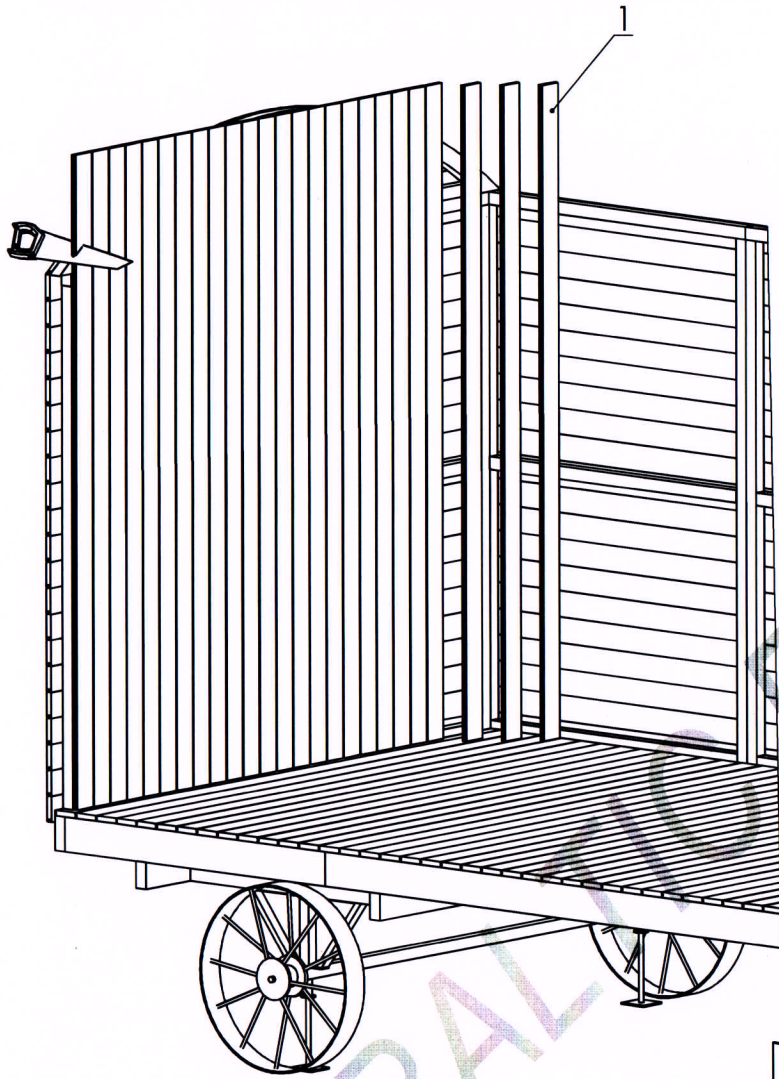
No	detail,s name	qty	dimension
1	side wall panels	50	15x95x2260
2	front and back wall panels	82	15x95x1820
3	front wall panels	10	15x95x160
4	front wall panels	10	15x95x80
5	upper door slat	1	15x34x1112
6	ceiling panels	54	15x95x2341
7	inner arch support	2	455x2406
4A	wall frame	4	44x44x602
4B	wall frame	2	44x44x812
5A	wall frame	4	44x44x1112
5B	wall frame	4	44x44x231
6A	wall frame	2	44x44x512



BALTIC FENCE

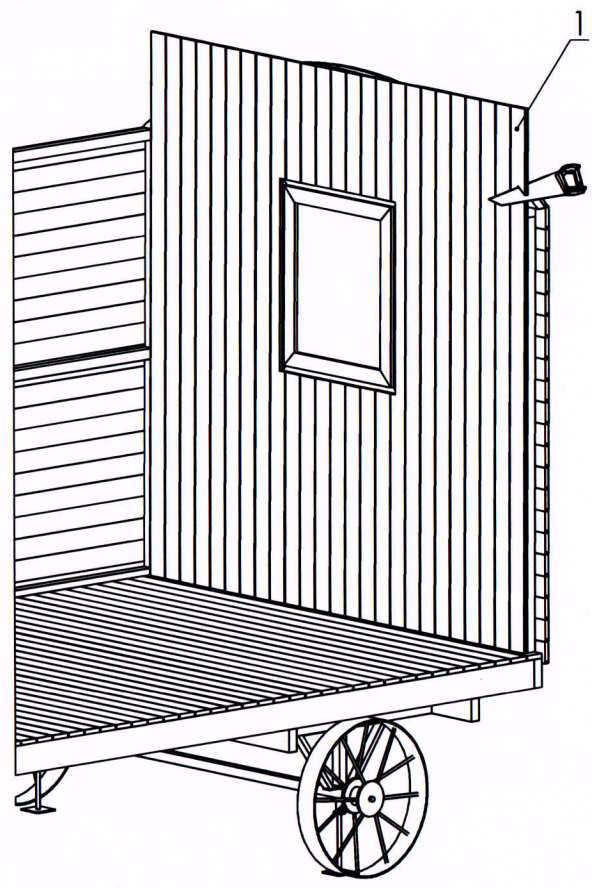
4,5x80	32
--------	----

NB! Start this assembly when all arches are assembled!

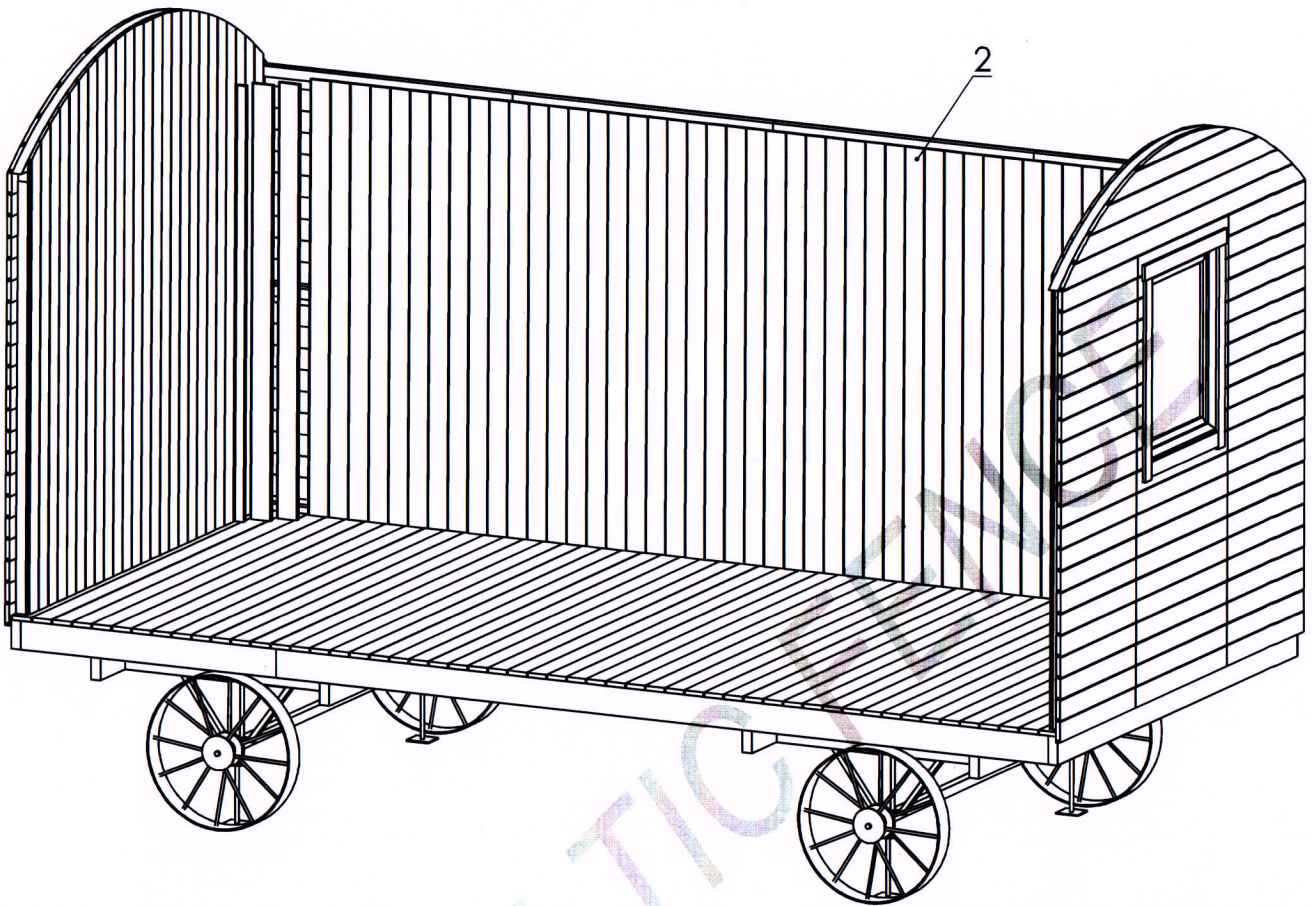


Connect the panelboards using 40mm nails. Start from corner. Cut the last board, if necessary. On the top cut the boards. Copy the arch.

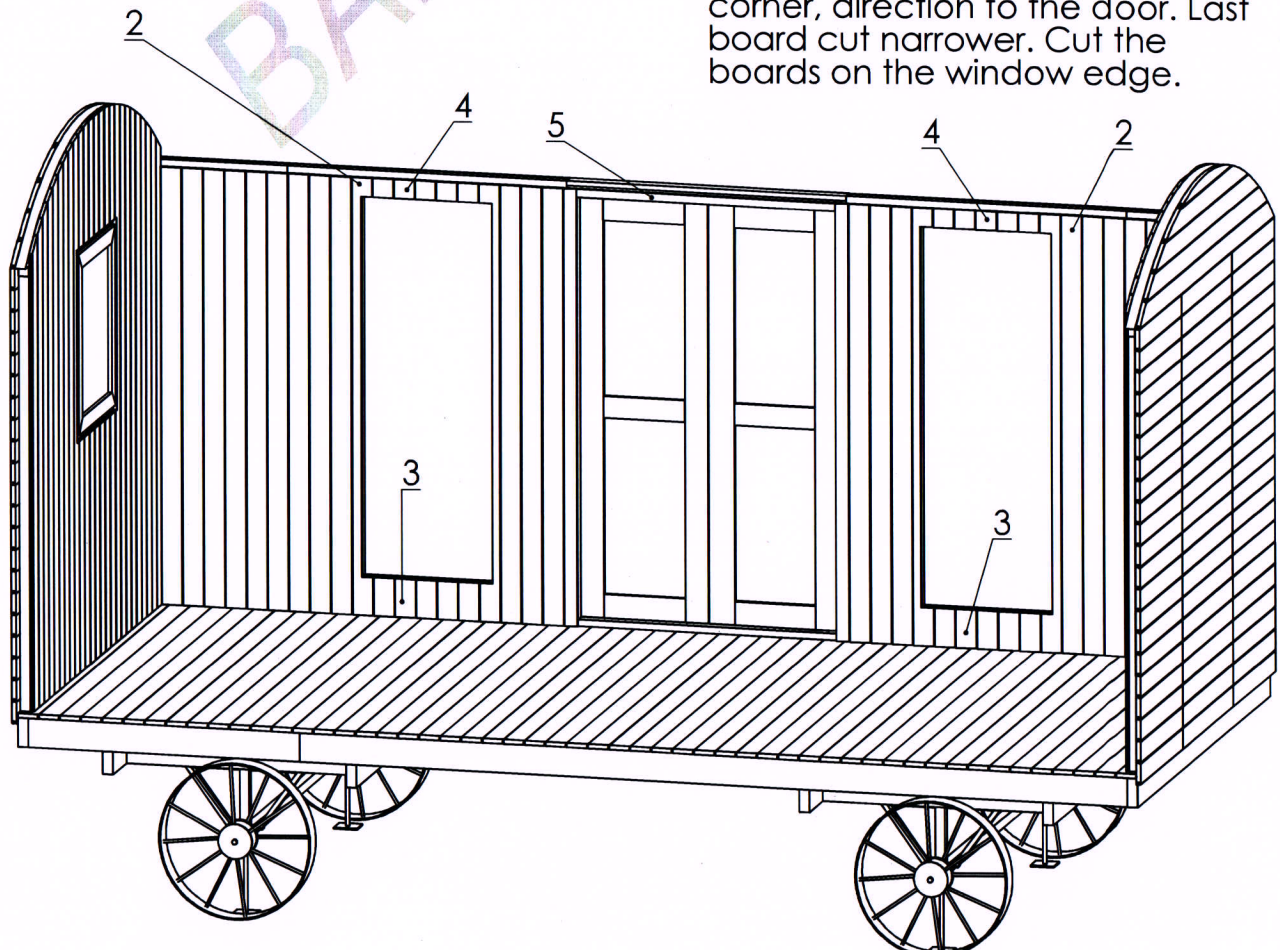
Around the window cut the boards.



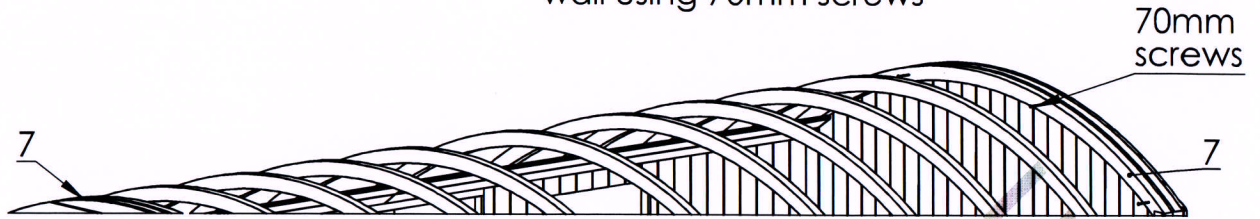
Connect the panel boards using 40mm nails.



Connect the panel boards using 40 mm nails. Both sides start from corner, direction to the door. Last board cut narrower. Cut the boards on the window edge.



Connect the two inner arch supports to the wall using 70mm screws



Connect the ceiling boards using 40mm nails

